

1. Features and Benefits

- Wide operating voltage range: from 2.7V to 24V
- Chopper-stabilized amplifier stage
- Built-in negative temperature coefficient
- Reverse Supply Voltage Protection
- Output Current Limit with Auto-Shutoff
- Under-Voltage Lockout Protection
- Thermal Protection
- Optional IMC integration for lateral magnetic sensing
- High ESD rating (8kV) / Excellent EMC performance
- Dual supply chain and country of origin options
- ASIL A compliant as Safety Element out of Context

2. Application Examples

- Automotive, Consumer and Industrial
- Solid-state switch
- 3-phase BLDC motor commutation
- DC motors and index counting
- Window lifters & sunroof motors
- Cooling & expansion valves
- Power liftgate & power door motors
- Door handle & charge port motors
- Seat & steering motors
- Electronic park brake motors

3. General Description

The Melexis MLX92211 is the second-generation Hall-effect latch designed in mixed signal CMOS technology.

The device integrates a voltage regulator, Hall sensor with advanced offset cancellation system and an open-drain output driver, all in a single package. Based on a brand-new platform, the magnetic core is using an improved offset cancellation system allowing faster and more accurate processing while being temperature insensitive and stress independent. In addition is implemented a negative temperature coefficient to compensate the natural behavior of magnets becoming weaker with rise in temperature. The MLX92211 is developed as ASIL A compliant.

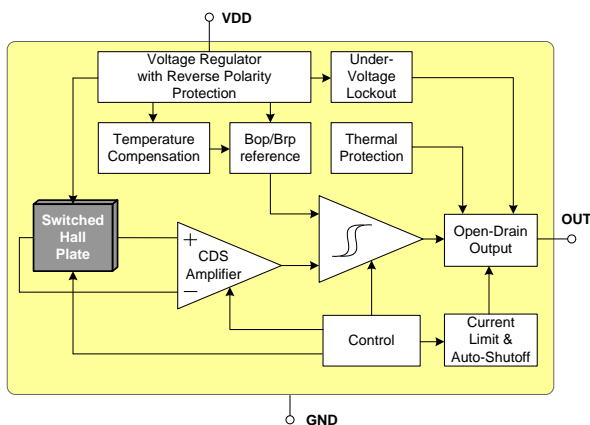
The included voltage regulator operates from 2.7 to 24V, hence covering a wide range of applications. With the built-in reverse voltage protection, a serial resistor or diode on the supply line is not required so that even remote sensors can be specified for low voltage operation down to 2.7V while being reverse voltage tolerant.

In the event of a drop below the minimum supply voltage during operation, the under-voltage lock-out protection will automatically freeze the device, preventing the electrical perturbation to affect the magnetic measurement circuitry. The output state is therefore only updated based on a proper and accurate magnetic measurement result.

The open drain output is fully protected against short-circuit with a built-in current limit. An additional automatic output shut-off is activated in case of a prolonged short-circuit condition. A self-check is then periodically performed to switch back to normal operation if the short-circuit condition is released.

The on-chip thermal protection also switches off the output if the junction temperature increases above an abnormally high threshold. It will automatically recover once the temperature decreases below a safe value.

With latching magnetic characteristics, the output is turned low or high respectively with a sufficiently strong South or North pole facing the package top side. When removing the magnetic field, the device keeps its previous state.



4. Ordering Information

Product Code	Temperature Code	Package Code	Magnetic option code	Country of Origin (COO)	Packing Form Code
MLX92211	L	UA	AA	A-000	BU
				C-000	
				Z-000	
MLX92211	L	SE	AA	A-000	RE
				C-000	
				Z-000	
MLX92211	L	SE	AC	A-000	RE
MLX92211	L	UA	AD	A-000	BU
MLX92211	L	SE	AD	A-000	RE
MLX92211	L	UA	AE	A-000	BU
				C-000	
				Z-000	
MLX92211	L	SE	AE	A-000	RE
				C-000	
				Z-000	
MLX92211	L	SE	AF	A-200	RE
MLX92211	L	SE	AG	A-200	RE
MLX92211	L	SE	AH	A-200	RE

Legend:

- Temperature Code: L (-40 to 150°C)
- Package Code: SE = TSOT-3L
UA = UA (TO92-3L)
- Magnetic Option Code: AAx = $B_{OP}/B_{RP} = \pm 3mT$, TC = -1100 ppm/°C
ACx = $B_{OP}/B_{RP} = \pm 3mT$, TC = -2000 ppm/°C
ADx = $B_{OP}/B_{RP} = \pm 14mT$, TC = -2000 ppm/°C
AEx = $B_{OP}/B_{RP} = \pm 3mT$, TC = -1100 ppm/°C, 8kV ESD HBM
AFx = $B_{OP}/B_{RP} = \pm 1.5mT$, TC = 0 ppm/°C, 8kV ESD HBM, IMC lateral version
AGx = $B_{OP}/B_{RP} = \pm 3mT$, TC = 0 ppm/°C, 8kV ESD HBM, IMC lateral version
AHx = $B_{OP}/B_{RP} = \pm 2.2mT$, TC = -1100 ppm/°C, 8kV ESD HBM, IMC lateral version
- COO Option Code: Z = Dual source from China & Non-China
C = China country of origin
A = Non-China country of origin
- Packing Form: BU = Bulk
RE = Reel
- Ordering Example: MLX92211LSE-AAC-000-RE: AA magnetic option code with China country of origin

5. Glossary of Terms

- MilliTesla (mT), Gauss Units of magnetic flux density:
1mT = 10 Gauss
- RoHS Restriction of Hazardous Substances
- TSOT Thin Small Outline Transistor (TSOT package) – also referred with the Melexis package code “SE”
- ESD Electro-Static Discharge
- BLDC Brush-Less Direct-Current
- COO Country of origin

Table of Contents

1. Features and Benefits	1
2. Application Examples	1
3. General Description	1
4. Ordering Information	2
5. Glossary of Terms	2
6. Absolute Maximum Ratings	5
7. General Electrical Specifications	6
8. Magnetic Specification	8
8.1. MLX92211LSE-AAx-000/ MLX92211LUA-AAx-000	8
8.2. MLX92211LSE-ACx-000	8
8.3. MLX92211LSE-ADx-000/ MLX92211LUA-ADx-000	8
8.4. MLX92211LSE-AEx-000/ MLX92211LUA-AEx-000	8
8.5. MLX92211LSE-AFx-200	9
8.6. MLX92211LSE-AGx-200	9
8.7. MLX92211LSE-AHx-200	9
9. Output behavior versus Magnetic Pole	10
9.1. South Pole Active	10
9.2. North Pole Active	10
10. Latch characteristics	10
11. Performance graphs	11
11.1. V_{DSon} VS. T_A	11
11.2. V_{DSon} VS. V_{DD}	11
11.3. I_{DD} VS. T_A	11
11.4. I_{DD} VS. V_{DD}	11
11.5. I_{OFF} VS. T_A	11
11.6. I_{OFF} VS. V_{DD}	11
12. Application Information	12
12.1. Typical Three-Wire Application Circuit.....	12
12.2. Automotive and Harsh, Noisy Environments Three-Wire Circuit.....	12
13. Package Information	13
13.1. TSOT-3L (SE Package) – Non-China COO	13
13.1.1. TSOT-3L – Non-China COO – package dimensions	13
13.1.2. TSOT-3L – Non-China COO – Sensitive spot	14
13.1.3. TSOT-3L – Non-China COO – Package marking / pin definition.....	14
13.2. TSOT-3L (SE Package) – China COO	15

- 13.2.1. TSOT-3L – China COO – package dimensions 15
- 13.2.2. TSOT-3L – China COO – Sensitive spot..... 16
- 13.2.3. TSOT-3L – China COO – Package marking / pin definition..... 16
- 13.3. T092-3L (UA Package) – Non-China COO 17
 - 13.3.1. T092-3L – Non-China COO – package dimensions 17
 - 13.3.2. T092-3L – Non-China COO – Sensitive spot..... 18
 - 13.3.3. T092-3L – Non-China COO – Package marking / pin definition..... 18
- 13.4. T092-3L (UA Package) – China COO 19
 - 13.4.1. T092-3L – China COO – package dimensions 19
 - 13.4.2. T092-3L – China COO – Sensitive spot..... 20
 - 13.4.3. T092-3L – China COO – Package marking / pin definition 20
- 14. IC handling and assembly 21**
 - 14.1. Storage and handling of plastic encapsulated ICs 21
 - 14.2. Assembly of encapsulated ICs..... 21
 - 14.3. Environment and sustainability..... 21
- 15. Disclaimer 22**

6. Absolute Maximum Ratings

Parameter	Symbol	Value	Units
Supply Voltage ^(1, 2)	V _{DD}	+27	V
Supply Voltage (Load dump) ^(1, 3)	V _{DD}	+32	V
Supply Current ^(1, 2, 4)	I _{DD}	+20	mA
Supply Current ^(1, 3, 4)	I _{DD}	+50	mA
Reverse Supply Voltage ^(1, 2)	V _{DDREV}	-24	V
Reverse Supply Voltage (Load dump) ^(1, 3)	V _{DDREV}	-30	V
Reverse Supply Current ^(1, 2, 5)	I _{DDREV}	-20	mA
Reverse Supply Current ^(1, 3, 5)	I _{DDREV}	-50	mA
Output Voltage ^(1, 2)	V _{OUT}	+27	V
Output Current ^(1, 2, 5)	I _{OUT}	+20	mA
Output Current ^(1, 3, 6, 9,10)	I _{OUT}	+75	mA
Output Current ^(1, 3, 6, 11)	I _{OUT}	+85	mA
Reverse Output Voltage ⁽¹⁾	V _{OUTREV}	-0.5	V
Reverse Output Current ^(1, 2)	I _{OUTREV}	-50	mA
Operating Temperature Range	T _A	-40 to +150	°C
Storage Temperature Range	T _S	-55 to +165	°C
Maximum Junction Temperature ⁽⁷⁾	T _J	+165	°C
ESD Sensitivity – HBM ^(8, 9)	-	2000	V
ESD Sensitivity – HBM ^(8, 10)	-	4000	V
ESD Sensitivity – HBM ^(8, 11)	-	8000	V
ESD Sensitivity – CDM ⁽¹²⁾	-	1000	V
Magnetic Flux Density	B	Unlimited	mT

Exceeding the absolute maximum ratings may cause permanent damage.

Exposure to absolute-maximum-rated conditions for extended periods may affect device reliability.

¹ The maximum junction temperature should not be exceeded

² For maximum 1 hour

³ For maximum 0.5s

⁴ Including current through protection device

⁵ Through protection device

⁶ For V_{OUT} ≤ 27V.

⁷ For 1000 hours.

⁸ Human Model according AEC-Q100-002 standard

⁹ valid for MLX92211ADx

¹⁰ valid for MLX92211AAx/MLX92211ACx

¹¹ valid for MLX92211AEx/ MLX92211AFx/ MLX92211AGx/ MLX92211AHx

¹² Charged Device Model according AEC-Q100-011 standard

7. General Electrical Specifications

DC Operating Parameters $T_A = -40$ to 150°C , $V_{DD} = 2.7\text{V}$ to 24V (unless otherwise specified)

Parameter	Symbol	Test Conditions	Min	Typ ⁽¹⁾	Max	Units
Supply Voltage	V_{DD}	Operating	2.7	-	24	V
Supply Current	I_{DD}		2.0	3.0	4.0	mA
Reverse Supply Current	I_{DDREV}	$V_{DD} = -18\text{V}$	-1			mA
Output Leakage Current	I_{OFF}	$V_{OUT} = 12\text{V}$, $V_{DD} = 12\text{V}$, $B < B_{rp}$		0.1	10	μA
Output Saturation Voltage	V_{DSon}	$B > B_{OP}$, $V_{DD} = 3.8$ to 18V , $I_{OUT} = 20\text{mA}$		0.2	0.5	V
Output Rise Time ⁽²⁾ (R_{PU} dependent)	t_R	$V_{DD} = 12\text{V}$, $V_{PU}^{(3)} = 5\text{V}$, $R_{PU} = 1\text{k}\Omega$ $C_{LOAD} = 50\text{pF}$ to GND	0.1	0.3	1	μs
Output Fall Time ⁽²⁾ (On-chip controlled)	t_F	$V_{DD} = 12\text{V}$, $V_{PU} = 5\text{V}$, $R_{PU} = 1\text{k}\Omega$ $C_{LOAD} = 50\text{pF}$ to GND	0.1	0.3	1	μs
Output Current Limit ⁽⁴⁾	I_{CL}	$B > B_{OP}$, $V_{DD} = 3.8$ to 18V , $V_{OUT} = 12\text{V}$	22	40	70	mA
Output Current Limit ⁽⁵⁾	I_{CL}	$B > B_{OP}$, $V_{DD} = 3.8$ to 18V , $V_{OUT} = 12\text{V}$	30	50	80	mA
Output ON Time under Current Limit conditions ⁽⁶⁾	t_{CLON}	$B > B_{OP}$, $V_{PU} = 12\text{V}$, $R_{PU} = 100\Omega$	150	240		μs
Output OFF Time under Current Limit conditions ⁽⁶⁾	t_{CLOFF}	$B > B_{OP}$, $V_{PU} = 12\text{V}$, $R_{PU} = 100\Omega$		3.5		ms
Chopping Frequency	f_{CHOP}			340		kHz
Output Refresh Period ⁽²⁾	t_{PER}			6		μs
Delay time ^(2, 7)	t_D	Average over 1000 successive switching events @ 10kHz , square wave with $B \geq 30\text{mT}$, $t_{RISE} = t_{FALL} \leq 20\mu\text{s}$		6		μs
Output Jitter (p-p) ^(2, 8)	t_{JITTER}	Over 1000 successive switching events @ 1kHz , square wave with $B \geq 30\text{mT}$, $t_{RISE} = t_{FALL} \leq 100\mu\text{s}$		± 3		μs

¹ Typical values are defined at $T_A = +25^\circ\text{C}$ and $V_{DD} = 12\text{V}$, unless otherwise specified

² Guaranteed by design and verified by characterization, not production tested

³ R_{PU} and V_{PU} are respectively the external pull-up resistor and pull-up power supply

⁴ Valid for MLX92211AAx, MLX92211ACx, MLX92211ADx

⁵ Valid for MLX92211AEx, MLX92211AFx, MLX92211AGx, MLX92211AHx

⁶ If the Output is in Current Limitation longer than t_{CLON} the Output is switched off in high-impedance state. The Output returns back in active state at next reaching of B_{OP} or after t_{CLOFF} time interval

⁷ The Delay Time is the time from magnetic threshold reached to the start of the output switching

⁸ Output jitter is the unpredictable deviation of the Delay time

Parameter	Symbol	Test Conditions	Min	Typ ⁽¹⁾	Max	Units
Maximum Switching Frequency ^(2, 3)	f _{SW}	B≥30mT and square wave magnetic field	30	50		kHz
Power-On Time ^(4, 5)	t _{ON}	V _{DD} = 5V, dV _{DD} /dt > 2V/us		16	30	μs
Under-voltage Lockout Threshold	V _{UVL}		2.2	2.4	2.7	V
Under-voltage Lockout Reaction time ⁽²⁾	t _{UVL}			1		μs
Thermal Protection Threshold ⁽⁶⁾	T _{PROT}	Junction temperature		185		°C
Thermal Protection Release ⁽⁶⁾	T _{REL}	Junction temperature		170		°C
SE Package Thermal Resistance	R _{TH}	Single layer (1S) Jeduc board		300		°C/W
UA Package Thermal Resistance	R _{TH}	Single layer (1S) Jeduc board		200		°C/W

¹ Typical values are defined at T_A = +25°C and V_{DD} = 12V, unless otherwise specified

² Guaranteed by design and verified by characterization, not production tested

³ Maximum switching frequency corresponds to the maximum frequency of the applied magnetic field which is detected without loss of pulses.

⁴ The power-On Time represents the time from reaching V_{DD} = V_{POR} to the first refresh of the output (first valid output state)

⁵ Power-On Slew Rate is not critical for the proper device start-up

⁶ T_{PROT} and T_{REL} are the corresponding junction temperature values

8. Magnetic Specification

DC Operating Parameters $V_{DD} = 3.0$ to $24V$, $T_A = -40^{\circ}C$ to $150^{\circ}C$

8.1. MLX92211LSE-AAx-000/ MLX92211LUA-AAx-000

Test Condition	Operating Point B_{OP} (mT)			Release Point B_{RP} (mT)			Hysteresis B_{HYS} (mT)			TC (ppm/ $^{\circ}C$)	Active Pole
	Min	Typ ⁽¹⁾	Max	Min	Typ ⁽¹⁾	Max	Min	Typ ⁽¹⁾	Max		
$T_A = -40^{\circ}C$	1.4	3.2	4.7	-4.7	-3.2	-1.4	4.8	6.4	8.3	-1100 ⁽²⁾	Z-axis sensitive South Pole
$T_A = 25^{\circ}C$	1.4	3	4.7	-4.7	-3.0	-1.4	4.5	6.0	7.7		
$T_A = 150^{\circ}C$	0.7	2.6	5	-5	-2.6	-0.7	3.4	5.2	7.1		

8.2. MLX92211LSE-ACx-000

Test Condition	Operating Point B_{OP} (mT)			Release Point B_{RP} (mT)			Hysteresis B_{HYS} (mT)			TC (ppm/ $^{\circ}C$)	Active Pole
	Min	Typ ⁽¹⁾	Max	Min	Typ ⁽¹⁾	Max	Min	Typ ⁽¹⁾	Max		
$T_A = -40^{\circ}C$	1.2	3.2	5.5	-5.5	-3.2	-1.2	4.7	6.3	8.2	-2000 ⁽²⁾	Z-axis sensitive North Pole
$T_A = 25^{\circ}C$	1.0	2.8	4.7	-4.7	-2.8	-1.0	4.2	5.6	7.2		
$T_A = 150^{\circ}C$	0.5	2.1	4.2	-4.2	-2.1	-0.5	2.6	4.2	5.9		

8.3. MLX92211LSE-ADx-000/ MLX92211LUA-ADx-000

Test Condition	Operating Point B_{OP} (mT)			Release Point B_{RP} (mT)			Hysteresis B_{HYS} (mT)			TC (ppm/ $^{\circ}C$)	Active Pole
	Min	Typ ⁽¹⁾	Max	Min	Typ ⁽¹⁾	Max	Min	Typ ⁽¹⁾	Max		
$T_A = -40^{\circ}C$	9.2	15.1	21.0	-21.0	-15.1	-9.2	23.6	30.5	38.0	-2000 ⁽²⁾	Z-axis sensitive South Pole
$T_A = 25^{\circ}C$	9.4	13.5	17.1	-17.1	-13.5	-9.4	21.2	27.0	33.1		
$T_A = 150^{\circ}C$	6.7	10.3	14.7	-14.7	-10.3	-6.7	13.8	20.3	26.9		

8.4. MLX92211LSE-AEx-000/ MLX92211LUA-AEx-000

Test Condition	Operating Point B_{OP} (mT)			Release Point B_{RP} (mT)			Hysteresis B_{HYS} (mT)			TC (ppm/ $^{\circ}C$)	Active Pole
	Min	Typ ⁽¹⁾	Max	Min	Typ ⁽¹⁾	Max	Min	Typ ⁽¹⁾	Max		
$T_A = -40^{\circ}C$	1.4	3.2	4.7	-4.7	-3.2	-1.4	4.8	6.4	8.3	-1100 ⁽²⁾	Z-axis sensitive South Pole
$T_A = 25^{\circ}C$	1.4	3.0	4.7	-4.7	-3.0	-1.4	4.5	6.0	7.7		
$T_A = 150^{\circ}C$	0.7	2.6	5.0	-5.0	-2.6	-0.7	3.4	5.2	7.1		

¹ Typical values are defined at $T_A = +25^{\circ}C$ and V_{DD} , unless otherwise specified

² $\frac{B_{T2} - B_{T1}}{B_{25^{\circ}C} \times (T_2 - T_1)} * 10^6$, ppm/ $^{\circ}C$; $T_1 = -40^{\circ}C$; $T_2 = 150^{\circ}C$

value guaranteed by design and verified by characterization, not production tested

8.5. MLX92211LSE-AFx-200

Test Condition	Operating Point B _{OP} (mT)			Release Point B _{RP} (mT)			Hysteresis B _{HYS} (mT)			TC (ppm/°C)	Active Pole
	Min	Typ ⁽¹⁾	Max	Min	Typ ⁽¹⁾	Max	Min	Typ ⁽¹⁾	Max		
T _A = -40°C	-0.7	1.5	4.0	-4.0	-1.5	0.7	1.9	3.0	4.9	0 ⁽²⁾	X-axis sensitive South Pole
T _A = 25°C	-0.1	1.5	3.4	-3.4	-1.5	0.1	2.0	3.0	4.8		
T _A = 150°C	-0.7	1.5	4.0	-4.0	-1.5	0.7	1.7	3.0	5.1		

8.6. MLX92211LSE-AGx-200

Test Condition	Operating Point B _{OP} (mT)			Release Point B _{RP} (mT)			Hysteresis B _{HYS} (mT)			TC (ppm/°C)	Active Pole
	Min	Typ ⁽¹⁾	Max	Min	Typ ⁽¹⁾	Max	Min	Typ ⁽¹⁾	Max		
T _A = -40°C	0.4	3.0	5.9	-5.9	-3.0	-0.4	4.2	6.0	8.7	0 ⁽²⁾	X-axis sensitive South Pole
T _A = 25°C	1.1	3.0	5.2	-5.2	-3.0	-1.1	4.4	6.0	8.4		
T _A = 150°C	0.4	3.0	5.9	-5.9	-3.0	-0.4	3.8	6.0	9.0		

8.7. MLX92211LSE-AHx-200

Test Condition	Operating Point B _{OP} (mT)			Release Point B _{RP} (mT)			Hysteresis B _{HYS} (mT)			TC (ppm/°C)	Active Pole
	Min	Typ ⁽¹⁾	Max	Min	Typ ⁽¹⁾	Max	Min	Typ ⁽¹⁾	Max		
T _A = -40°C	1.1	2.6	4.1	-4.1	-2.6	-1.1	3.8	5.1	6.7	-1100 ⁽²⁾	X-axis sensitive South Pole
T _A = 25°C	0.7	2.4	4.1	-4.1	-2.4	-0.7	3.5	4.8	6.3		
T _A = 150°C	0.1	2.1	4.2	-4.2	-2.1	-0.1	2.8	4.1	5.7		

¹ Typical values are defined at T_A = +25°C and VDD, unless otherwise specified

² $\frac{B_{T_2} - B_{T_1}}{B_{25^\circ C} \times (T_2 - T_1)} * 10^6, ppm/^\circ C ; T_1 = -40^\circ C ; T_2 = 150^\circ C$

value guaranteed by design and verified by characterization, not production tested

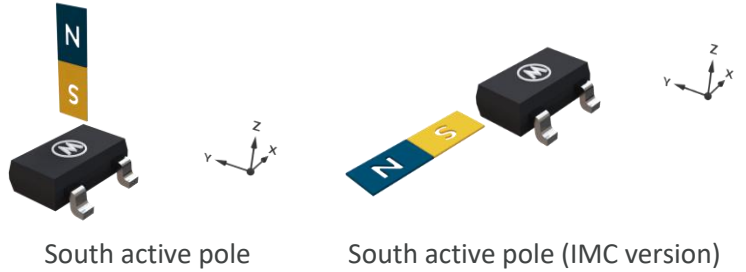
9. Output behavior versus Magnetic Pole

Output behavior versus magnetic pole ⁽¹⁾

9.1. South Pole Active

DC Operating Parameters $T_A = -40^{\circ}\text{C}$ to 150°C , $V_{DD} = 2.7\text{V}$ to 24V

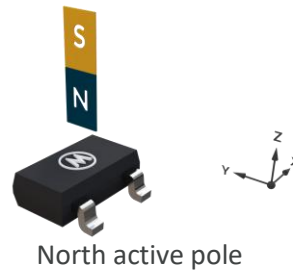
Parameter	Test Conditions	OUT
South pole	$B > B_{OP}$	Low (V_{DSon})
North pole	$B < B_{RP}$	High (V_{PU}) ⁽²⁾



9.2. North Pole Active

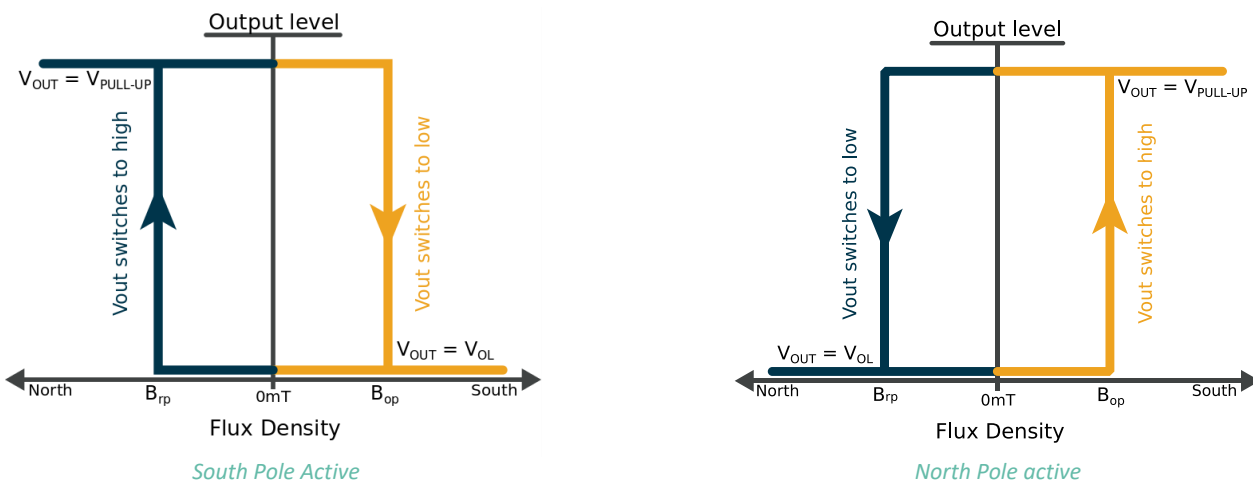
DC Operating Parameters $T_A = -40^{\circ}\text{C}$ to 150°C , $V_{DD} = 2.7\text{V}$ to 24V

Parameter	Test Conditions	OUT
South pole	$B > B_{OP}$	High (V_{PU}) ⁽²⁾
North pole	$B < B_{RP}$	Low (V_{DSon})



10. Latch characteristics

The MLX92211-Axx exhibits magnetic latching characteristics.



Typically, the device behaves as a latch with symmetric operating and release switching points ($B_{OP} = |B_{RP}|$). This means magnetic fields with equivalent strength and opposite direction drive the output high and low.

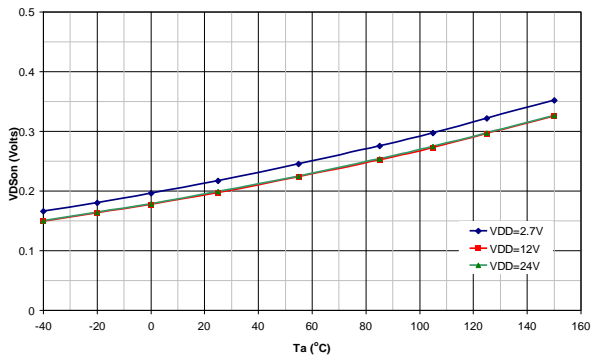
Removing the magnetic field ($B \rightarrow 0$) keeps the output in its previous state. This latching property defines the device as a magnetic memory.

¹ Magnetic pole facing the branded/top side of the package

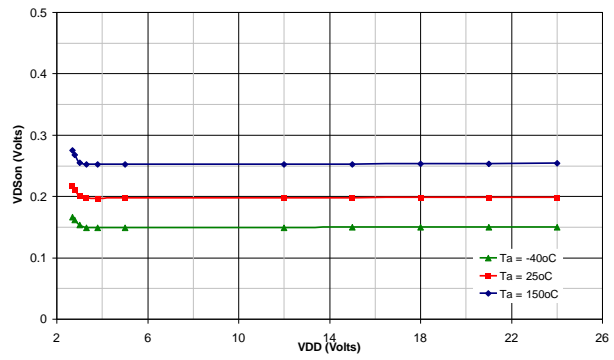
² Default Output state during power-up

11. Performance graphs

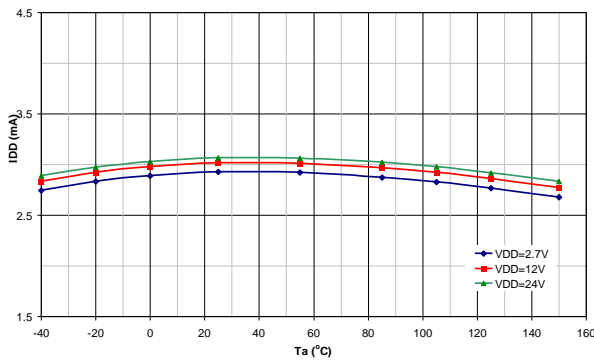
11.1. V_{DSon} vs. T_A



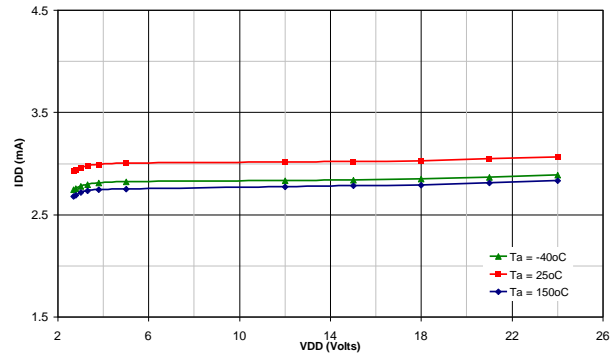
11.2. V_{DSon} vs. V_{DD}



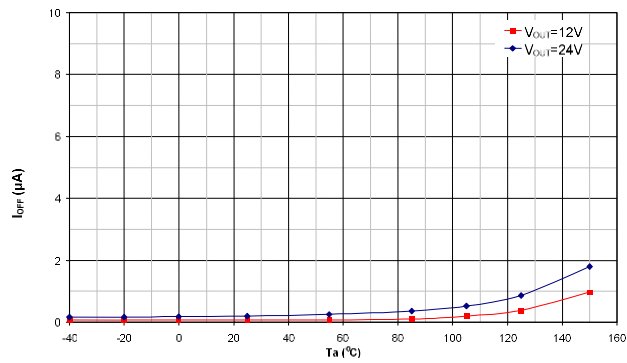
11.3. I_{DD} vs. T_A



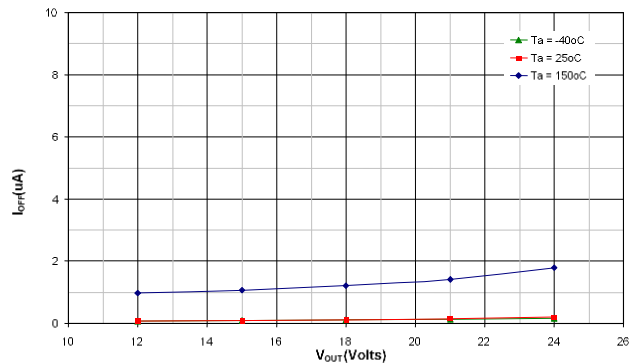
11.4. I_{DD} vs. V_{DD}



11.5. I_{OFF} vs. T_A

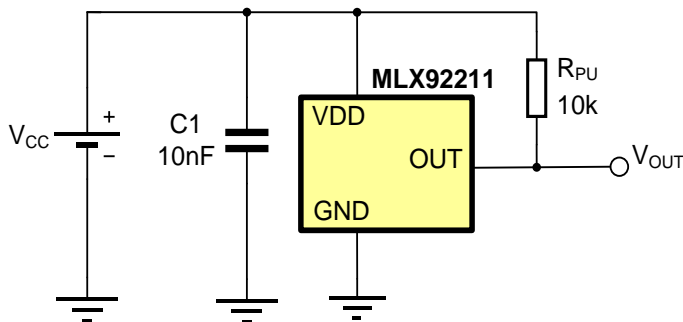


11.6. I_{OFF} vs. V_{DD}



12. Application Information

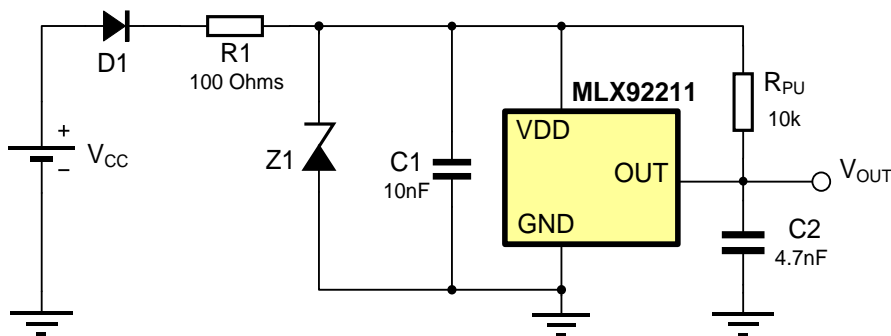
12.1. Typical Three-Wire Application Circuit



Notes:

1. For proper operation, a 10nF to 100nF bypass capacitor should be placed as close as possible to the V_{DD} and ground pin.
2. The pull-up resistor R_{PU} value should be chosen in to limit the current through the output pin below the maximum allowed continuous current for the device.
3. A capacitor connected to the output is not obligatory, because the output slope is generated internally.

12.2. Automotive and Harsh, Noisy Environments Three-Wire Circuit



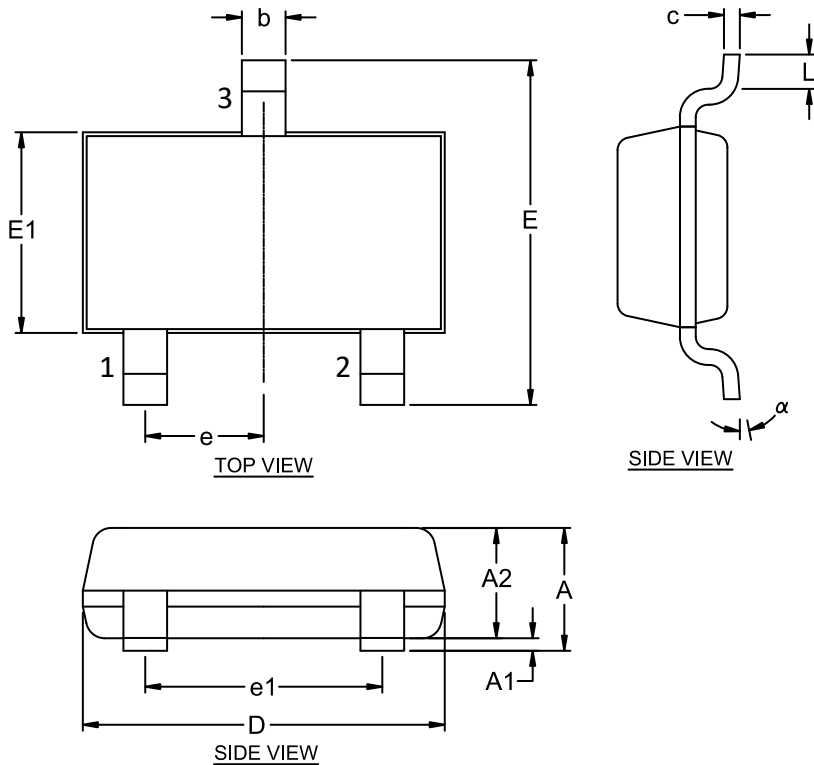
Notes:

1. For proper operation, a 10nF to 100nF bypass capacitor should be placed as close as possible to the V_{DD} and ground pin.
2. The device could tolerate negative voltage down to -27V, so if negative transients over supply line $V_{PEAK} < -32V$ are expected, usage of the diode D1 is recommended. Otherwise only R1 is sufficient.
When selecting the resistor R1, three points are important:
 - the resistor has to limit I_{DD}/I_{DDREV} to 50mA maximum
 - the resistor has to withstand the power dissipated in both over voltage conditions ($V_{R1}^2/R1$)
 - the resulting device supply voltage V_{DD} has to be higher than V_{DD} min ($V_{DD} = V_{CC} - R1 \cdot I_{DD}$)
3. The device could tolerate positive supply voltage up to +27V (until the maximum power dissipation is not exceeded), so if positive transients over supply line with $V_{PEAK} > 32V$ are expected, usage a zener diode Z1 is recommended. The R1-Z1 network should be sized to limit the voltage over the device below the maximum allowed.

13. Package Information

13.1. TSOT-3L (SE Package) – Non-China COO

13.1.1. TSOT-3L – Non-China COO – package dimensions

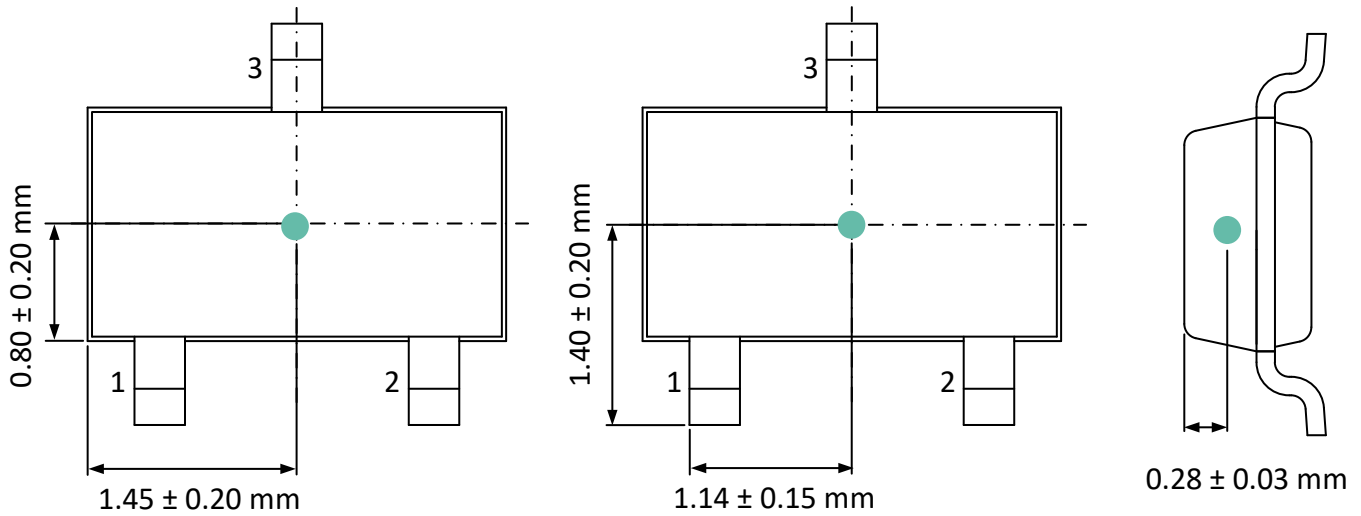


SYMBOL	MINIMUM	MAXIMUM
A	---	1.00
A1	0.025	0.10
A2	0.85	0.90
D	2.80	3.00
E	2.60	3.00
E1	1.50	1.70
L	0.30	0.50
b	0.30	0.45
c	0.10	0.20
e	0.95 BSC	
e1	1.90 BSC	
α	0°	8°

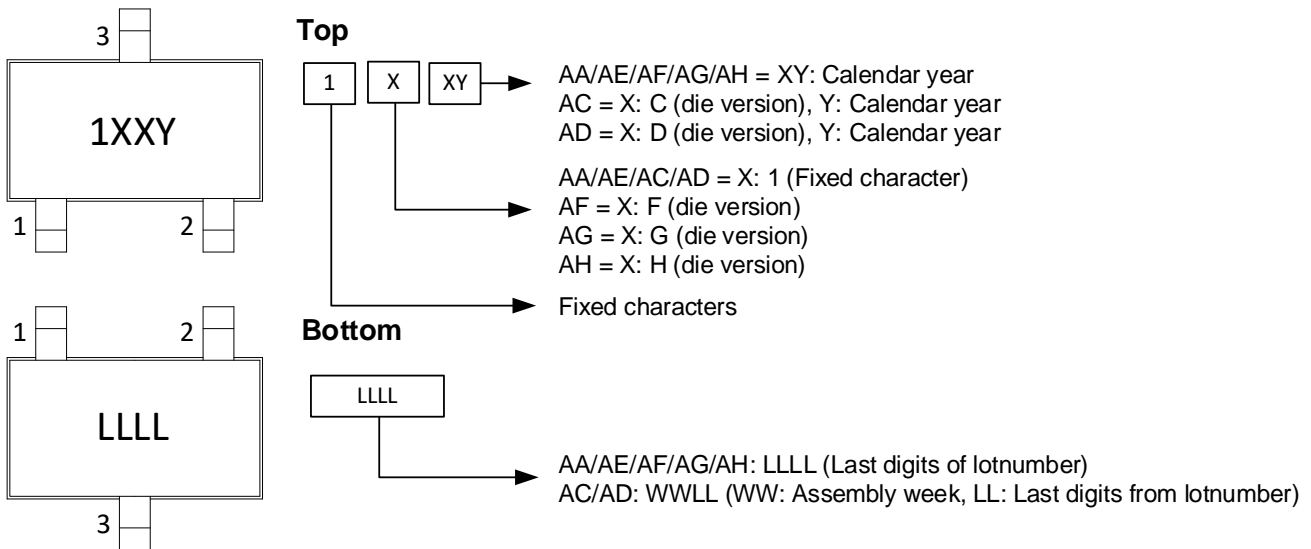
NOTE :

1. ALL DIMENSIONS IN MILLIMETERS (mm) UNLESS OTHERWISE STATED.
2. DIMENSION D DOES NOT INCLUDE MOLD FLASH OR PROTRUSIONS OF MAX 0.15 mm PER SIDE.
3. DIMENSION E1 DOES NOT INCLUDE MOLD FLASH OR PROTRUSIONS OF MAX 0.25 mm PER SIDE.
4. DIMENSION b DOES NOT INCLUDE DAMBAR PROTRUSION OF MAX 0.07 mm.
5. DIMENSION L IS THE LENGTH OF THE TERMINAL FOR SOLDERING TO A SUBSTRATE.
6. FORMED LEAD SHALL BE PLANAR WITH RESPECT TO ONE ANOTHER WITH 0.076 mm SEATING PLANE.

13.1.2. TSOT-3L – Non-China COO – Sensitive spot



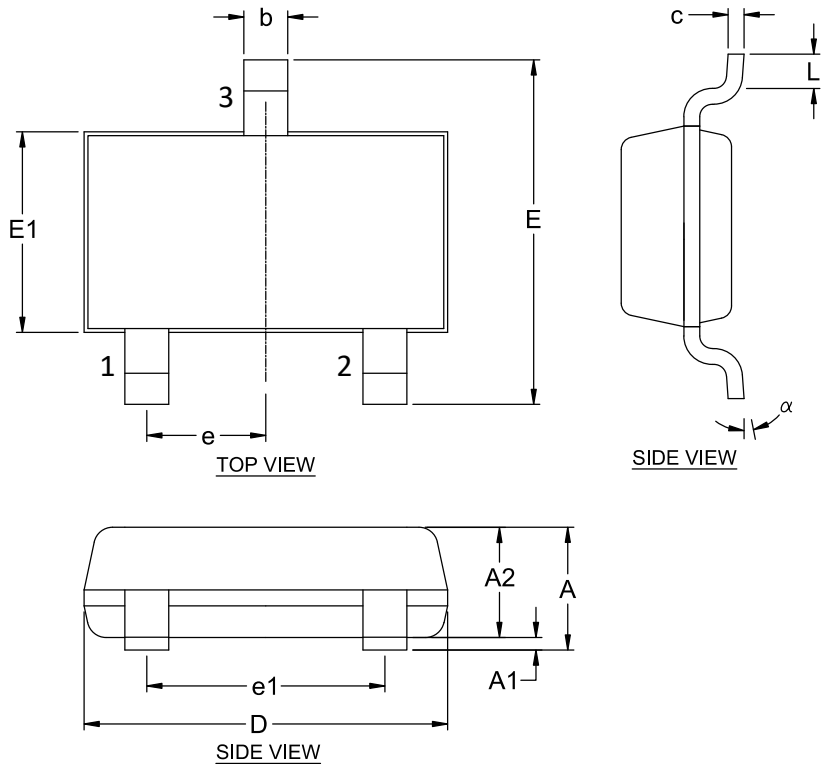
13.1.3. TSOT-3L – Non-China COO – Package marking / pin definition



Pin #	Name	Type	Function
1	VDD	Supply	Supply Voltage pin
2	OUT	Out	Open drain output pin
3	GND	Ground	Ground pin

13.2. TSOT-3L (SE Package) – China COO

13.2.1. TSOT-3L – China COO – package dimensions

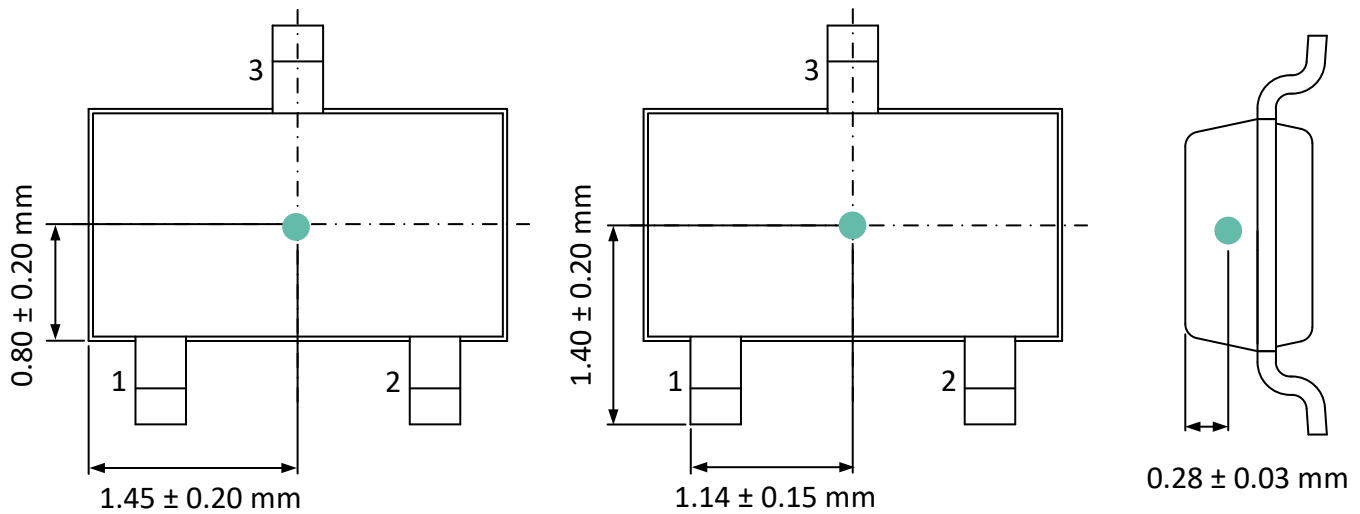


SYMBOL	MINIMUM	MAXIMUM
A	---	1.00
A1	0.025	0.10
A2	0.85	0.90
D	2.80	3.00
E	2.60	3.00
E1	1.50	1.70
L	0.30	0.50
b	0.30	0.45
c	0.10	0.20
e	0.95 BSC	
e1	1.90 BSC	
α	0°	8°

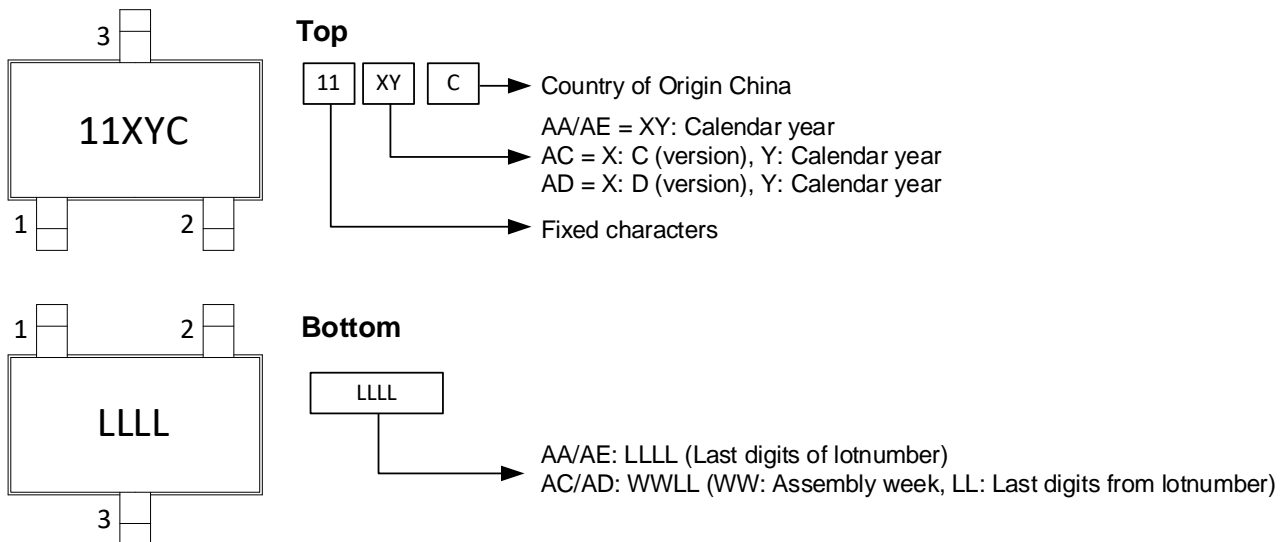
NOTE :

1. ALL DIMENSIONS IN MILLIMETERS (mm) UNLESS OTHERWISE STATED.
2. DIMENSION D DOES NOT INCLUDE MOLD FLASH OR PROTRUSIONS OF MAX 0.15 mm PER SIDE.
3. DIMENSION E1 DOES NOT INCLUDE MOLD FLASH OR PROTRUSIONS OF MAX 0.25 mm PER SIDE.
4. DIMENSION b DOES NOT INCLUDE DAMBAR PROTRUSION OF MAX 0.07 mm.
5. DIMENSION L IS THE LENGTH OF THE TERMINAL FOR SOLDERING TO A SUBSTRATE.
6. FORMED LEAD SHALL BE PLANAR WITH RESPECT TO ONE ANOTHER WITH 0.076 mm SEATING PLANE.

13.2.2. TSOT-3L – China COO – Sensitive spot



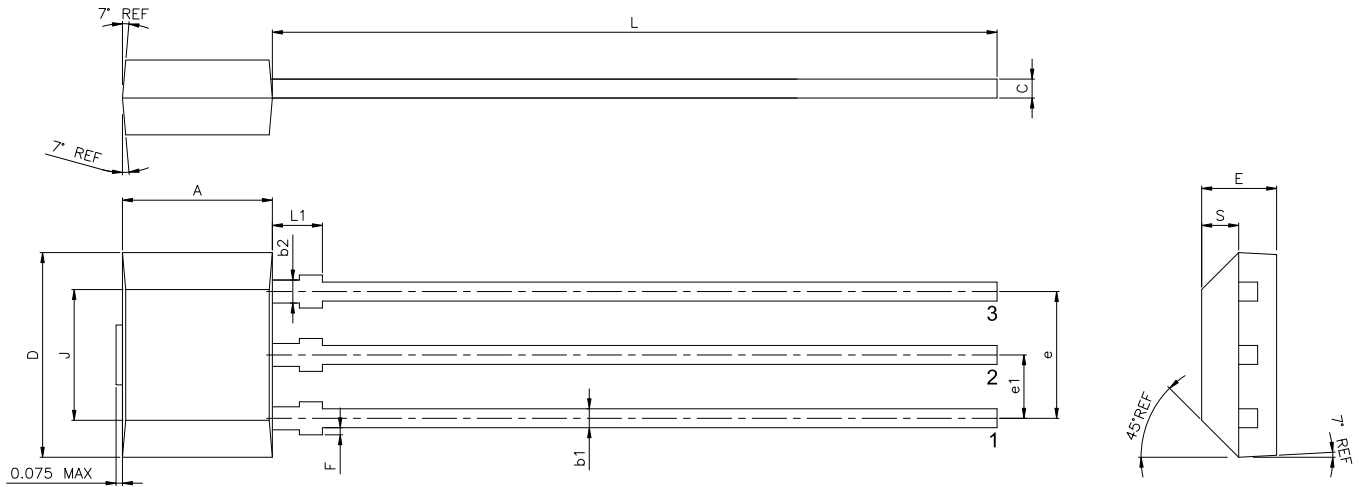
13.2.3. TSOT-3L – China COO – Package marking / pin definition



Pin #	Name	Type	Function
1	VDD	Supply	Supply Voltage pin
2	OUT	Out	Open drain output pin
3	GND	Ground	Ground pin

13.3. T092-3L (UA Package) – Non-China COO

13.3.1. T092-3L – Non-China COO – package dimensions

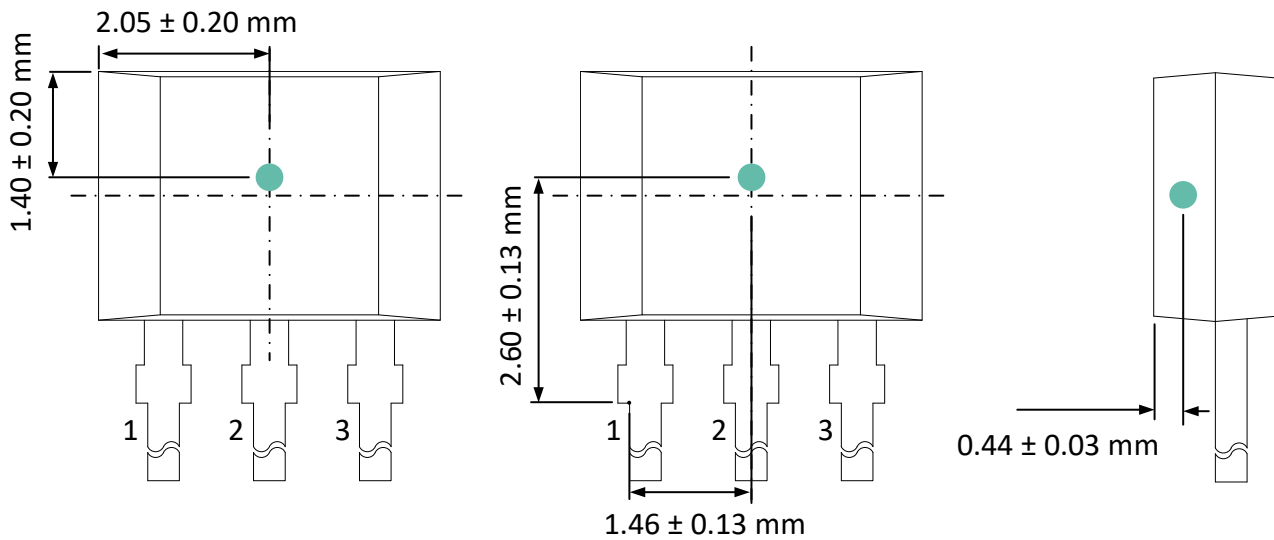


NOTES :

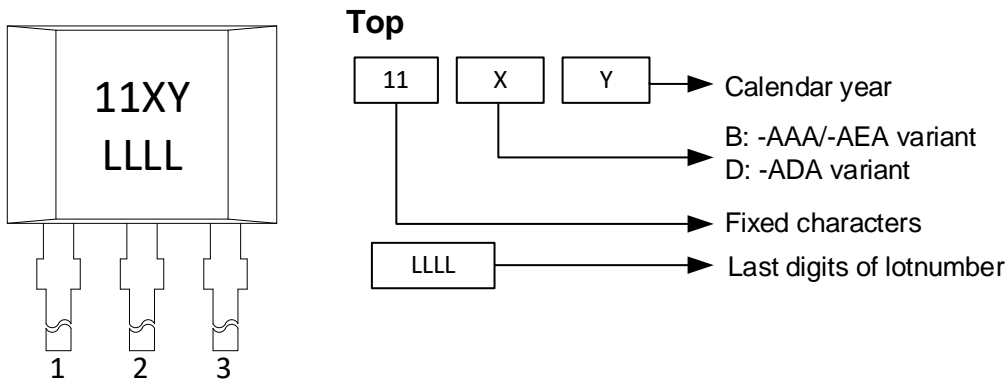
1. DIMENSIONS IN MILLIMETERS (mm) UNLESS NOTED OTHERWISE.
2. PACKAGE DIMENSIONS DO NOT INCLUDE MOLD FLASHES AND PROTRUSIONS.
3. DIMENSION A AND D DO NOT INCLUDE MOLD GATE AND SIDE FLASH (PROTRUSION) OF MAXIMUM 0.127 mm PER SIDE.
4. THE LEADS MAY BE SLIGHTLY DEFORMED DURING TRANSPORTATION IF PACKED IN BULK (BAG), AFFECTING e1 DIMENSION. IT IS RECOMMENDED TO ORDER RADIAL TAPE (REEL OR AMMOPACK) IF SUCH DEFORMATION IS CRITICAL FOR THE LEAD FORMING PROCESS, EVEN IF MANUAL LOADING INTO THE TOOL IS FORESEEN.
5. FOR REFERENCE ONLY — NOT FOR TOOLING PURPOSES

SYMBOL	MINIMUM	MAXIMUM
A	2.90	3.10
D	4.00	4.20
E	1.40	1.60
F	0.00	0.15
J	2.51	2.72
L	14.00	15.00
L1	0.90	1.10
S	0.63	0.84
b1	0.35	0.44
b2	0.43	0.52
c	0.35	0.44
e	2.51	2.57
e1	1.24	1.30

13.3.2. T092-3L – Non-China COO – Sensitive spot



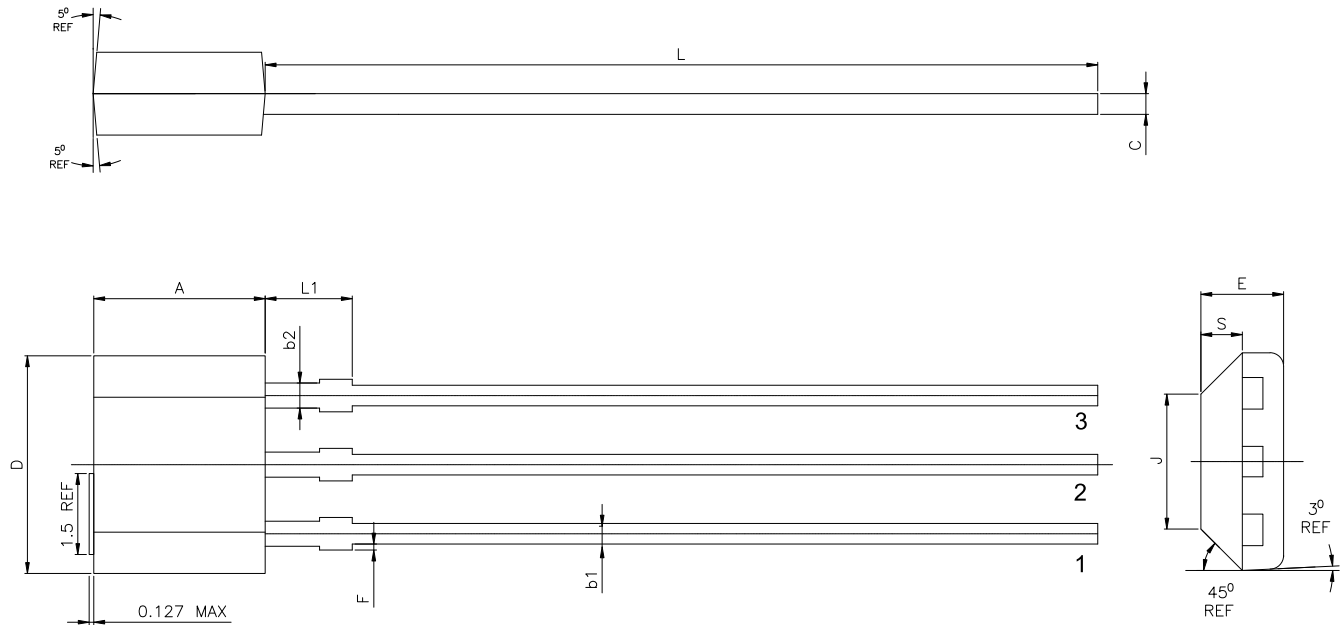
13.3.3. T092-3L – Non-China COO – Package marking / pin definition



Pin #	Name	Type	Function
1	VDD	Supply	Supply Voltage pin
2	GND	Ground	Ground pin
3	OUT	Out	Open drain output pin

13.4. T092-3L (UA Package) – China C00

13.4.1. T092-3L – China C00 – package dimensions

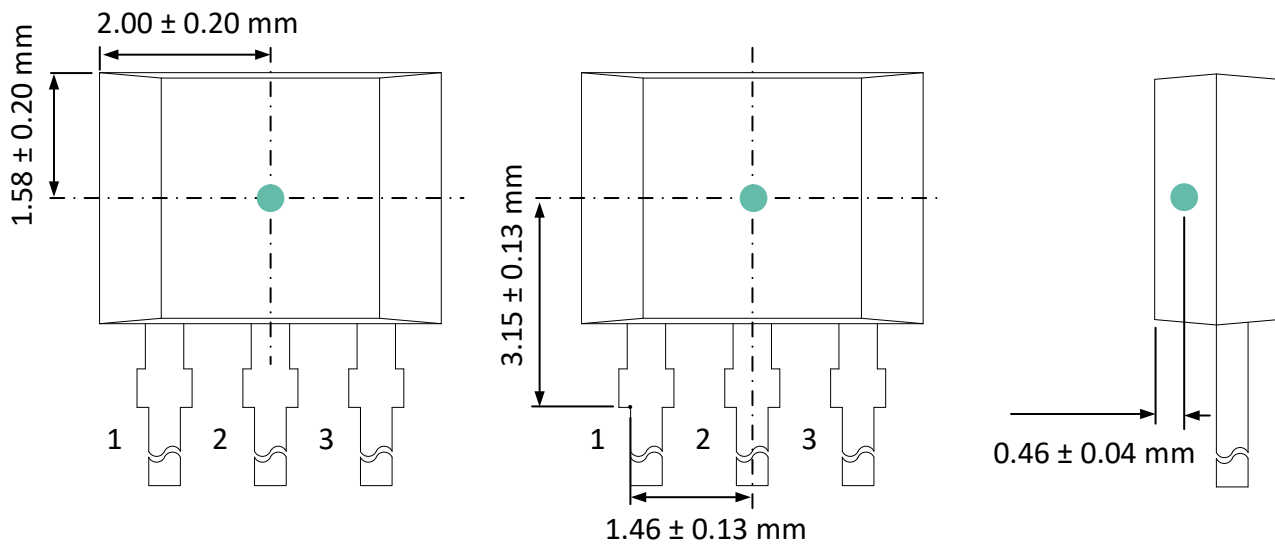


Symbol	MINIMUM	MAXIMUM
A	3.05	3.25
D	3.90	4.10
E	1.42	1.62
F	---	0.15
J	2.48 REF	
L	15.10	15.50
L1	---	1.75
S	0.66	0.86
b1	0.33	0.48
b2	0.40	0.53
c	0.38	0.43
e	2.54 BSC	
e1	1.27 BSC	

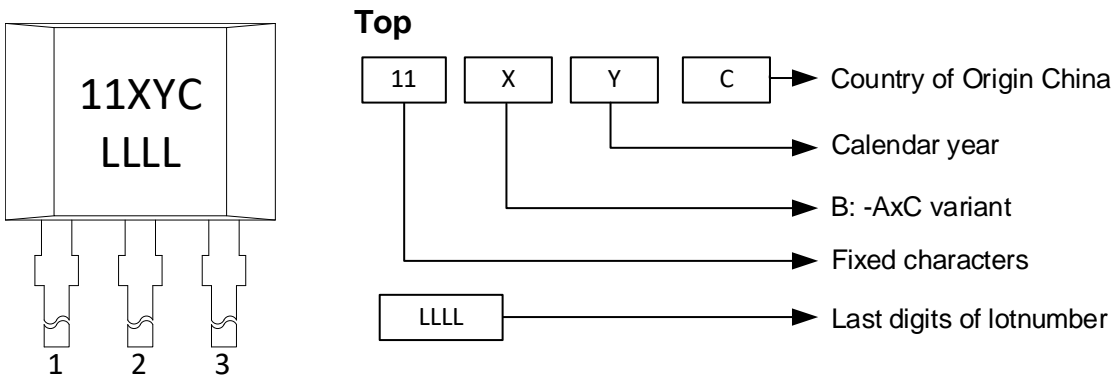
NOTE :

1. DIMENSIONS IN MILLIMETERS (mm) UNLESS NOTED OTHERWISE.
2. PACKAGE DIMENSIONS DO NOT INCLUDE MOLD FLASHES AND PROTRUSIONS.
3. DIMENSION A AND D DO NOT INCLUDE MOLD GATE AND SIDE FLASH (PROTRUSION) of MAXIMUM 0.127 mm PER SIDE.
4. THE LEADS MAY BE SLIGHTLY DEFORMED DURING TRANSPORTATION IF PACKED IN BULK (BAG), AFFECTING e1 DIMENSION. IT IS RECOMMENDED TO ORDER RADIAL TAPE (REEL OR AMMOPACK) IF SUCH DEFORMATION IS CRITICAL FOR THE LEAD FORMING PROCESS, EVEN IF MANUAL LOADING INTO THE TOOL. IS FORESEEN
5. FOR REFERENCE ONLY — NOT FOR TOOLING PURPOSES

13.4.2. T092-3L – China COO – Sensitive spot



13.4.3. T092-3L – China COO – Package marking / pin definition



Pin #	Name	Type	Function
1	VDD	Supply	Supply Voltage pin
2	GND	Ground	Ground pin
3	OUT	Out	Open drain output pin

14. IC handling and assembly

14.1. Storage and handling of plastic encapsulated ICs

Plastic encapsulated ICs shall be stored and handled according to their MSL categorization level (specified in the packing label) as per J-STD-033.

Electronic semiconductor products are sensitive to Electro Static Discharge (ESD). The component assembly shall be handled in EPA (Electrostatic Protected Area) as per ANSI S20.20

For more information refer to Melexis [Guidelines for storage and handling of plastic encapsulated ICs](#)⁽¹⁾

14.2. Assembly of encapsulated ICs

For Surface Mounted Devices (SMD, as defined according to JEDEC norms), the only applicable soldering method is reflow.

For Through Hole Devices (THD), the applicable soldering methods are reflow, wave, selective wave and robot point-to-point. THD lead pre-forming (cutting and/or bending) is applicable under strict compliance with Melexis [Guidelines for lead forming of SIP Hall Sensors](#)⁽¹⁾.

Melexis products soldering on PCB should be conducted according to the requirements of IPC/JEDEC and J-STD-001. Solder quality acceptance should follow the requirements of IPC-A-610.

For PCB-less assembly refer to the relevant application notes ⁽¹⁾ or contact Melexis.

Electrical resistance welding or laser welding can be applied to Melexis products in THD and specific PCB-less packages following the [Guidelines for welding of PCB-less devices](#)⁽¹⁾.

Environmental protection of customer assembly with Melexis products for harsh media application, is applicable by means of coating, potting or overmolding considering restrictions listed in the relevant application notes ⁽¹⁾

For other specific process, contact Melexis via www.melexis.com/technical-inquiry

14.3. Environment and sustainability

Melexis is contributing to global environmental conservation by promoting non-hazardous solutions. For more information on our environmental policy and declarations (RoHS, REACH...) visit www.melexis.com/environmental-forms-and-declarations

¹ www.melexis.com/ic-handling-and-assembly

15. Disclaimer

The content of this document is believed to be correct and accurate. However, the content of this document is furnished "as is" for informational use only and no representation, nor warranty is provided by Melexis about its accuracy, nor about the results of its implementation. Melexis assumes no responsibility or liability for any errors or inaccuracies that may appear in this document. Customer will follow the practices contained in this document under its sole responsibility. This documentation is in fact provided without warranty, term, or condition of any kind, either implied or expressed, including but not limited to warranties of merchantability, satisfactory quality, non-infringement, and fitness for purpose. Melexis, its employees and agents and its affiliates' and their employees and agents will not be responsible for any loss, however arising, from the use of, or reliance on this document. Notwithstanding the foregoing, contractual obligations expressly undertaken in writing by Melexis prevail over this disclaimer.

This document is subject to change without notice, and should not be construed as a commitment by Melexis. Therefore, before placing orders or prior to designing the product into a system, users or any third party should obtain the latest version of the relevant information. Users or any third party must determine the suitability of the product described in this document for its application, including the level of reliability required and determine whether it is fit for a particular purpose.

This document as well as the product here described may be subject to export control regulations. Be aware that export might require a prior authorization from competent authorities. The product is not designed, authorized or warranted to be suitable in applications requiring extended temperature range and/or unusual environmental requirements. High reliability applications, such as medical life-support or life-sustaining equipment or avionics application are specifically excluded by Melexis. The product may not be used for the following applications subject to export control regulations: the development, production, processing, operation, maintenance, storage, recognition or proliferation of:

- 1. chemical, biological or nuclear weapons, or for the development, production, maintenance or storage of missiles for such weapons;*
- 2. civil firearms, including spare parts or ammunition for such arms;*
- 3. defense related products, or other material for military use or for law enforcement;*
- 4. any applications that, alone or in combination with other goods, substances or organisms could cause serious harm to persons or goods and that can be used as a means of violence in an armed conflict or any similar violent situation.*

No license nor any other right or interest is granted to any of Melexis' or third party's intellectual property rights.

If this document is marked "restricted" or with similar words, or if in any case the content of this document is to be reasonably understood as being confidential, the recipient of this document shall not communicate, nor disclose to any third party, any part of the document without Melexis' express written consent. The recipient shall take all necessary measures to apply and preserve the confidential character of the document. In particular, the recipient shall (i) hold document in confidence with at least the same degree of care by which it maintains the confidentiality of its own proprietary and confidential information, but no less than reasonable care; (ii) restrict the disclosure of the document solely to its employees for the purpose for which this document was received, on a strictly need to know basis and providing that such persons to whom the document is disclosed are bound by confidentiality terms substantially similar to those in this disclaimer; (iii) use the document only in connection with the purpose for which this document was received, and reproduce document only to the extent necessary for such purposes; (iv) not use the document for commercial purposes or to the detriment of Melexis or its customers. The confidentiality obligations set forth in this disclaimer will have indefinite duration and in any case they will be effective for no less than 10 years from the receipt of this document.

This disclaimer will be governed by and construed in accordance with Belgian law and any disputes relating to this disclaimer will be subject to the exclusive jurisdiction of the courts of Brussels, Belgium.

The invalidity or ineffectiveness of any of the provisions of this disclaimer does not affect the validity or effectiveness of the other provisions. The previous versions of this document are repealed.

*Melexis © - No part of this document may be reproduced without the prior written consent of Melexis. (2025)
IATF 16949 and ISO 14001 Certified*

For the latest revision of this document, visit www.melexis.com/MLX92211

Happy to help you! www.melexis.com/contact