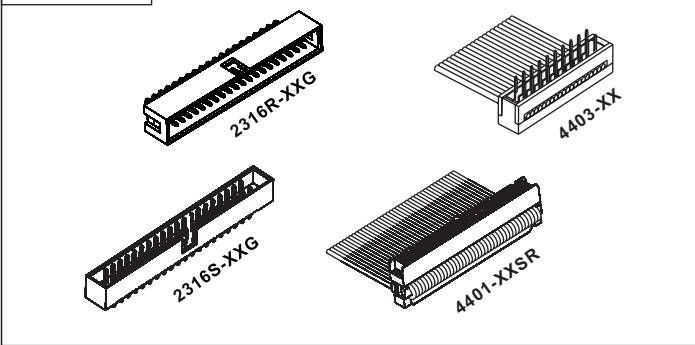


RoHS Compliant



Specifications

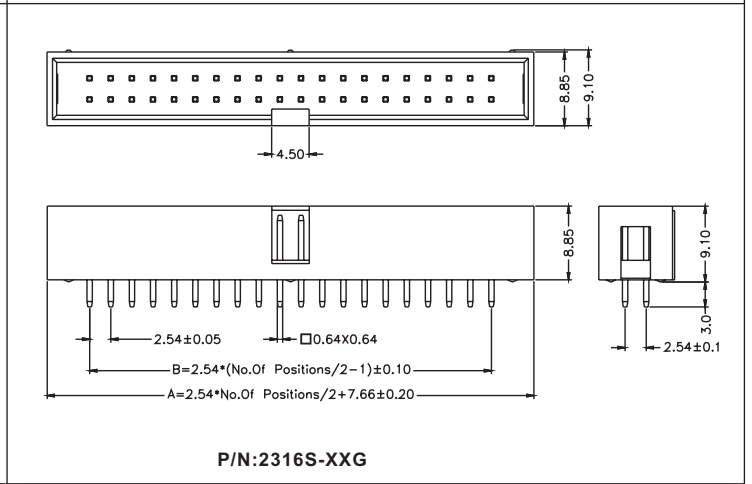
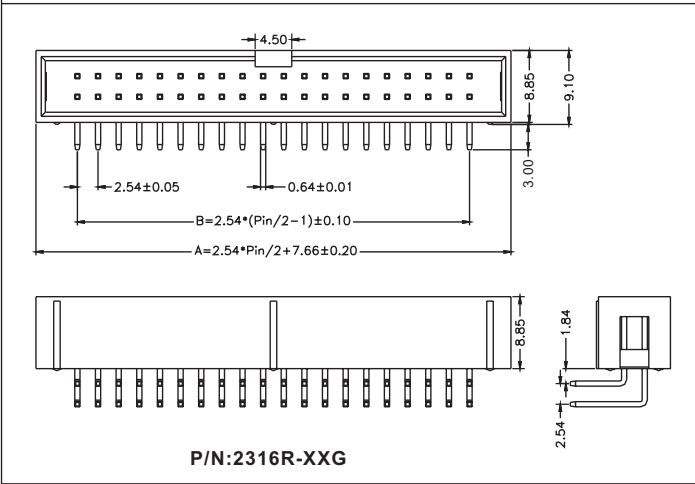
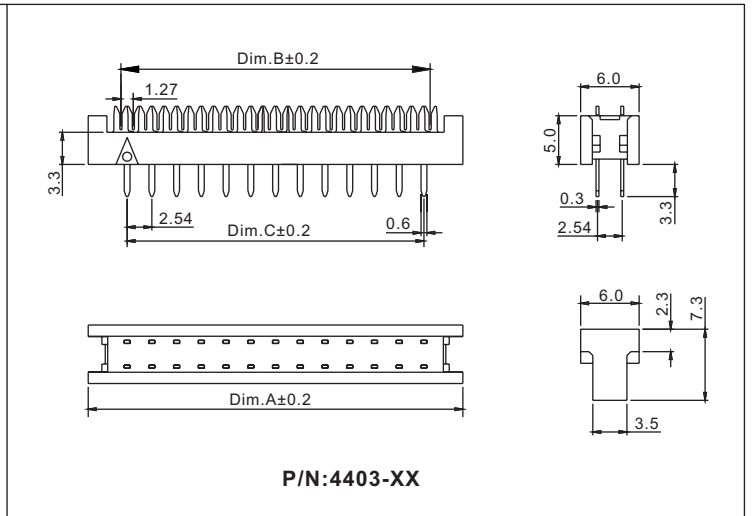
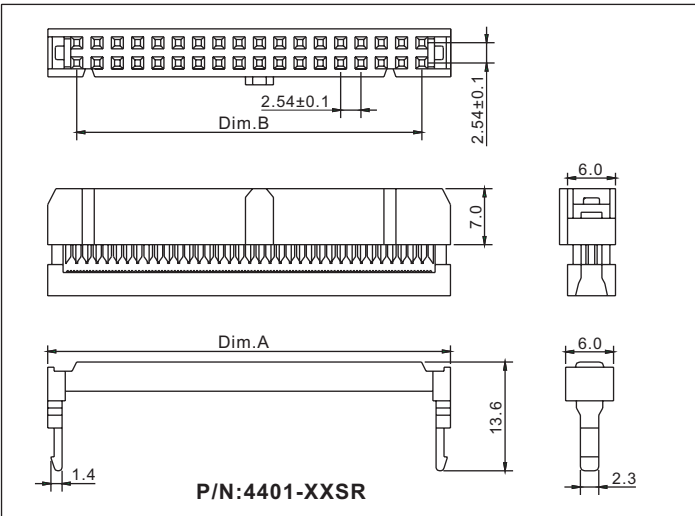
Current rating: 1.0A AC/DC
Voltage rating: 30V AC/DC
Contact resistance: 20m ohm. max.
Insulation resistance: 1000M ohm. Min.
Withstanding voltage: 500V AC for one minute
Operating temperature range: -40°C to +105°C

Material and Finish

Insulator: High Temperature plastic (UL94V-0)
Contact Pin: Copper Alloy Selective Gold Plated

Connection

4401-XXSR Mates With 2316S(R)-XXG Series



IDC Connector

Engineering Dimension

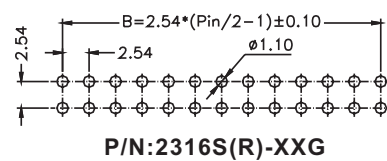
P/N: 4403-XX

Circuits	Dim. A	Dim. B	Dim. C
6	13.07	6.35	5.08
8	15.61	8.89	7.62
10	18.15	11.43	10.16
12	20.69	13.97	12.70
14	23.23	16.51	15.24
16	25.77	19.05	17.78
18	28.31	21.59	20.32
20	30.85	24.13	22.86
24	35.93	29.21	27.94

P/N: 4401-XXSR

Circuits	Dim. A	Dim. B
6	12.30	5.08
8	14.84	7.62
10	17.38	10.16
12	19.92	12.70
14	22.46	15.24
16	25.00	17.78
18	27.54	20.32
20	30.08	22.86
24	35.16	27.94

Recommended PCB Layout



Ordering Information

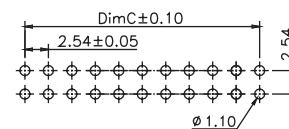
4401-XXSR

① ②

2316S-XXG

① ②

① No. Of Contacts	② Blank W/O SR SR: With Strain Relief	① S: Straight R: Right Angle	② G: Gold Plated
-------------------	------------------------------------------	---------------------------------	------------------



Unit: mm

